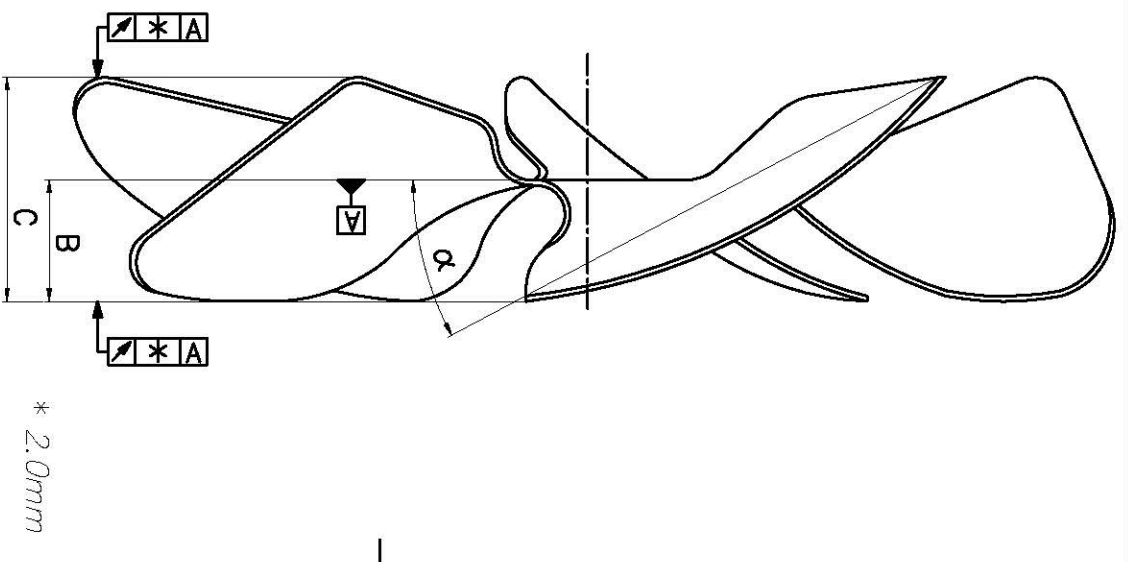


| | | | | |
|-----|--------|-------|-------|------------------------------|
| Ø | α ± 1° | B ± 2 | C ± 2 | Material thickness ± 0.05 |
| 254 | 22 | 18.7 | 36.7 | 0.8 |



* 2.0mm

| | | | | | | | | |
|-------------|----------|------|------|--------|-------------------------------|---|----------------------------|---|
| No. | Modifica | Data | Nome | Urspr. | Scale - Tolerance ± 0.3 | Date Disegn. 20/01/16 Appr. 22/01/16 Norm. | Nome CERELLA RIGOLDI | Materiale Alluminio Al H1060 Sp. 0.8 |
| | | | | | | | | |
| 001-2541822 | | | | | (Ers. f.) SHEET 1 OF 1 | | Cod F | |